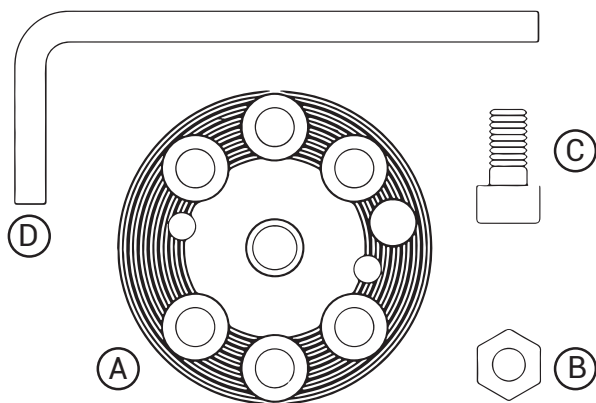


Assembly Instructions

T-Rail Frame Clamp 325-0561

i Mounting kit

- (A) = 1x Adapter
- (B) = 4x M6 Nut
- (C) = 4x M6x12 Screw
- (D) = **Not included**



i Mounting spot

