

Mount Selection Guide

Lightweight Mount

Key Features:

- Device Adapter** with quick shift lever for easy adjustment.
- Quick Shift Levers** on all fittings for quick and easy adjustments.
- Swivel Clamp Base** allows mount to swivel and rotate out of the way for easy transfers to and from chair.

Standard Frame Clamp 304-0100

Clamp on Style 304-0105

Dimensions: 10", 12", 12", 8"

Heavy-Duty Mount 304-0200

Key Features:

- Device Adapter** with two adjustment points and quick shift levers.
- Quick Shift Levers** on all fittings for quick and easy adjustments.
- Swivel Clamp Base** allows mount to swivel and rotate out of the way for easy transfers to and from chair.

Dimensions: 16", 24", 8"

Not for use with eye tracking installations

For use with eye tracking installations

Frame Clamps for Round Chair Tubes

- Standard Round 325-0501**
Fits 7/8" or 1" round tubes, the most common clamp for manual wheelchairs.
- Large Round 325-0503**
Fits 1 1/8" round tubes. This is a less commonly used frame clamp.
- Side Mount 325-0570**
Use when the entire tube is not accessible because of the overlying seat.

T-Rail Slot Clamps

T-Rail Clamp 325-0561

For power wheelchairs that use a T-Rail slot underneath the seat. Fits both 1 & 2 slotted rails.

Rectangular Frame Tube

- Standard Rectangular 325-0540**
Fits rectangular tubes up to 1 3/16" wide.
- Large Rectangular 325-0520**
Fits rectangular tubes from 1 3/16" to 2 3/4" wide.

Item number 325-0602, FRS 3D mounting plate, required to mount all ProSlate™ and WinSlate™ devices.

Forbes AAC

181 Illinois Ave. South
Mansfield, OH 44905

phone 419.589.7688

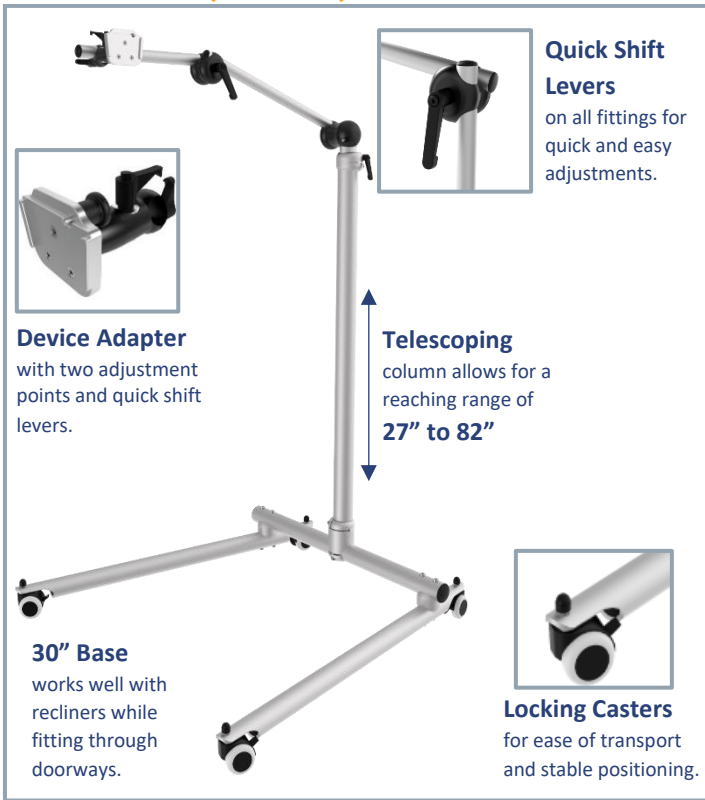
fax 419.589.5146



forbesaac.com

Mount Selection Guide

Floor Stand (Standard) 307-0350



Device Adapter with two adjustment points and quick shift levers.

Quick Shift Levers on all fittings for quick and easy adjustments.

Telescoping column allows for a reaching range of **27" to 82"**

30" Base works well with recliners while fitting through doorways.

Locking Casters for ease of transport and stable positioning.

Floor Stand (One Hand Adjustable) 307-0450



One Hand Adjustable arm mechanism allows for easy position of eye tracking devices.

Device Adapter with two adjustment points and quick shift levers.

Telescoping column allows for a reaching range of **45.5" to 72"**

31" Base works well with recliners while fitting through doorways.

Locking Casters for ease of transport and stable positioning.

X-Base Tabletop Mount 308-0333



Key Features:

Device Adapter with two adjustment points and quick shift levers.

Rubber Feet ensure the mount does not slide out of position.

Leveling Legs allows for stable mounting on uneven tabletop surfaces.

Lightweight Clamp-On Mount* 308-0315



Key Features:

Super Clamp attaches to wheelchair frame tubes too!

Device Adapter utilizes a lightweight design that is easy to use.

Quick Shift Levers on all fittings for quick and easy adjustments.

Super Clamp allows for fast and easy clamping onto surfaces with thicknesses ranging from 5/8" – 2 1/8"

***Also available in a three tube version 304-0105**

Forbes AAC

181 Illinois Ave. South
Mansfield, OH 44905

phone 419.589.7688

fax 419.589.5146



forbesaac.com